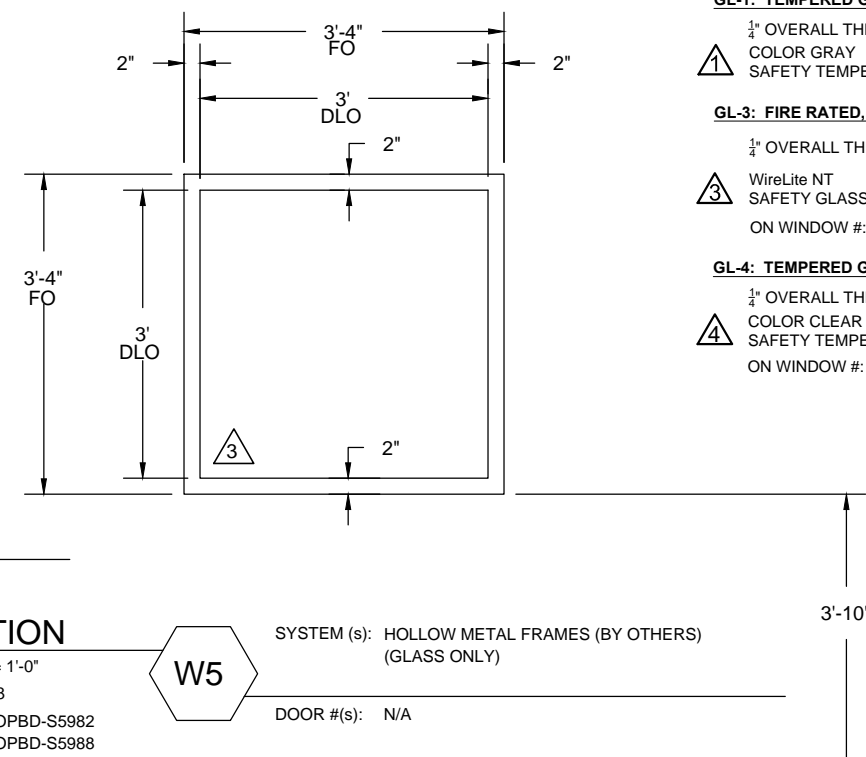
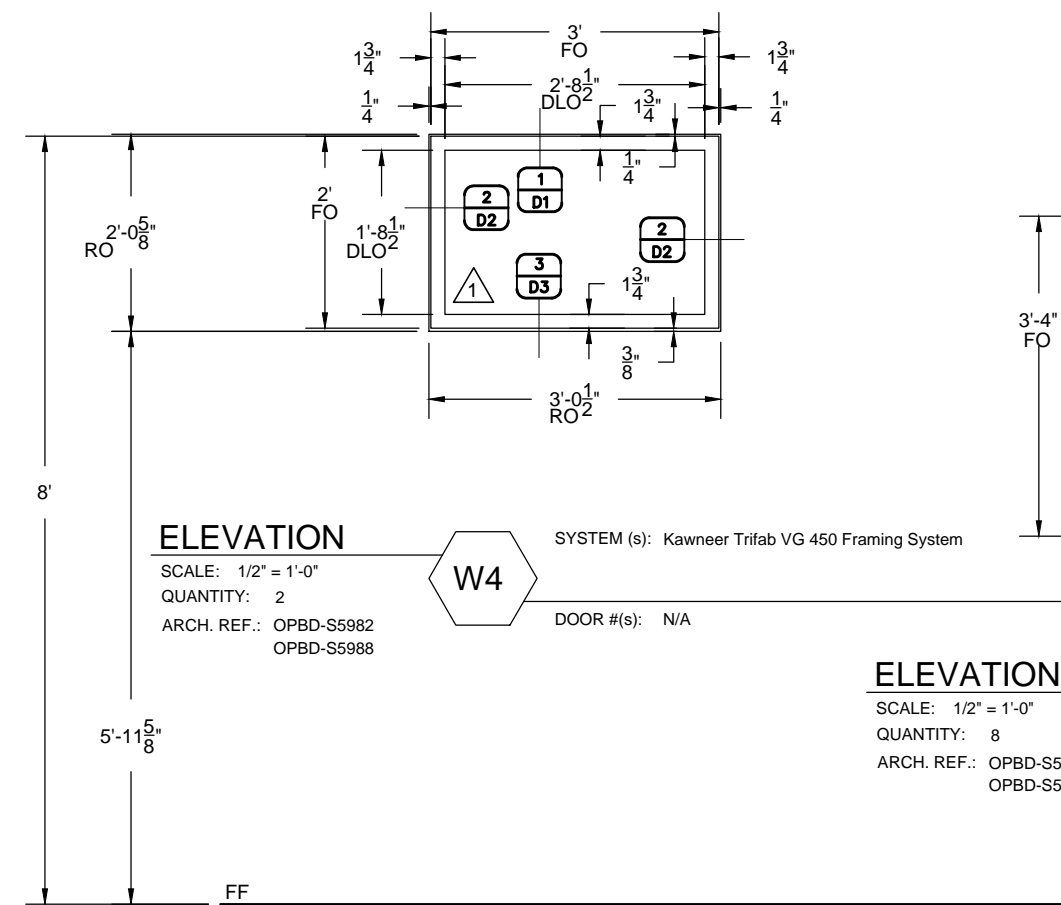
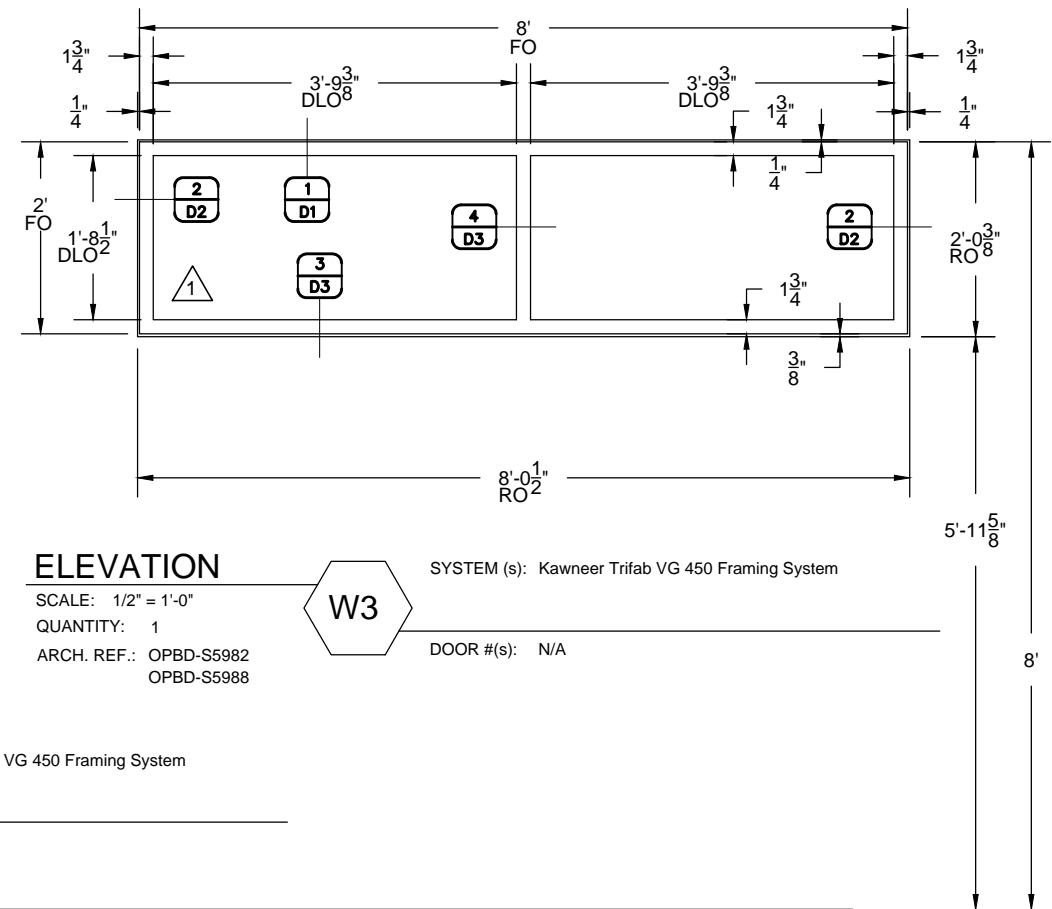
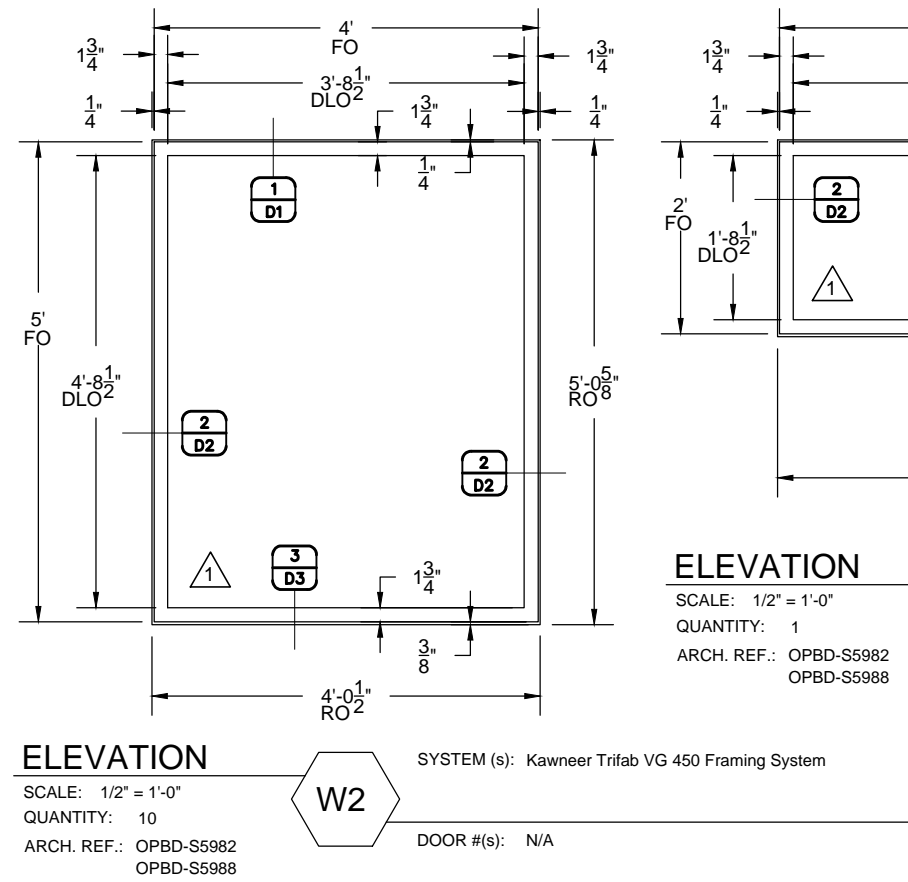
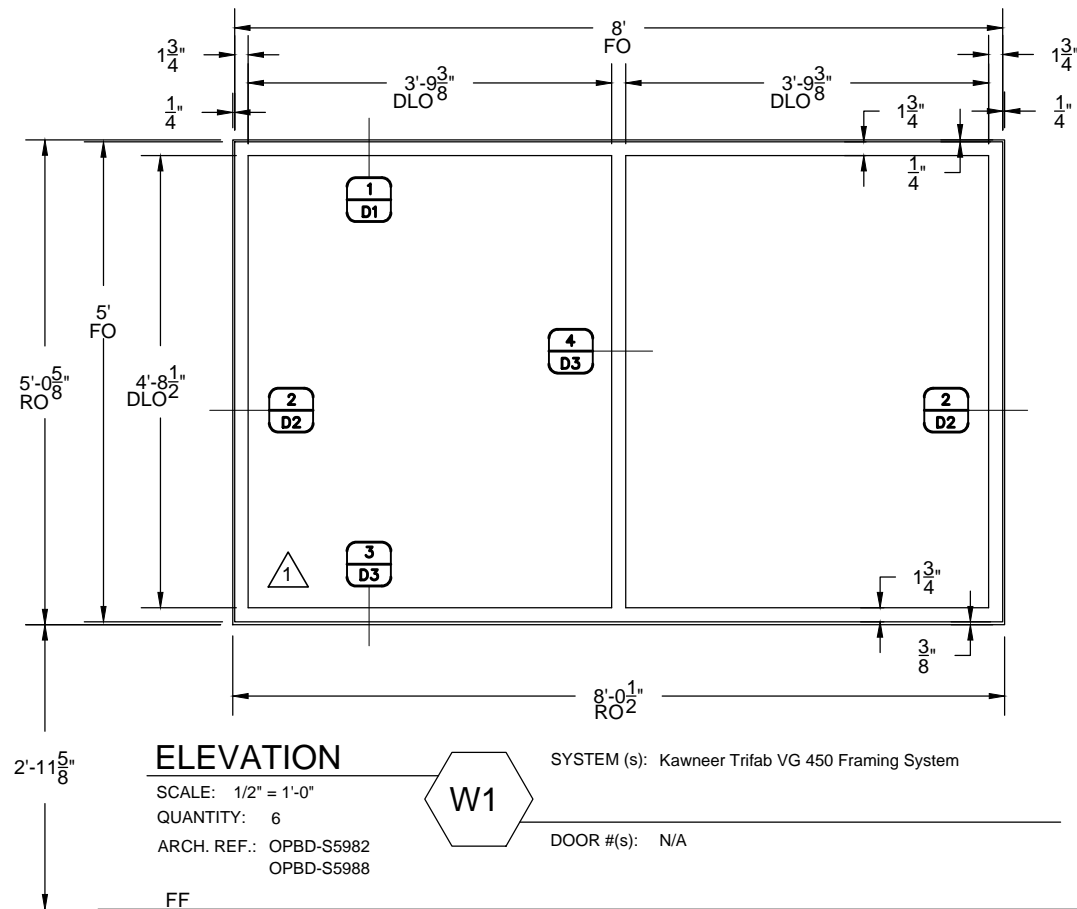


LOCATION MAP (NTS)

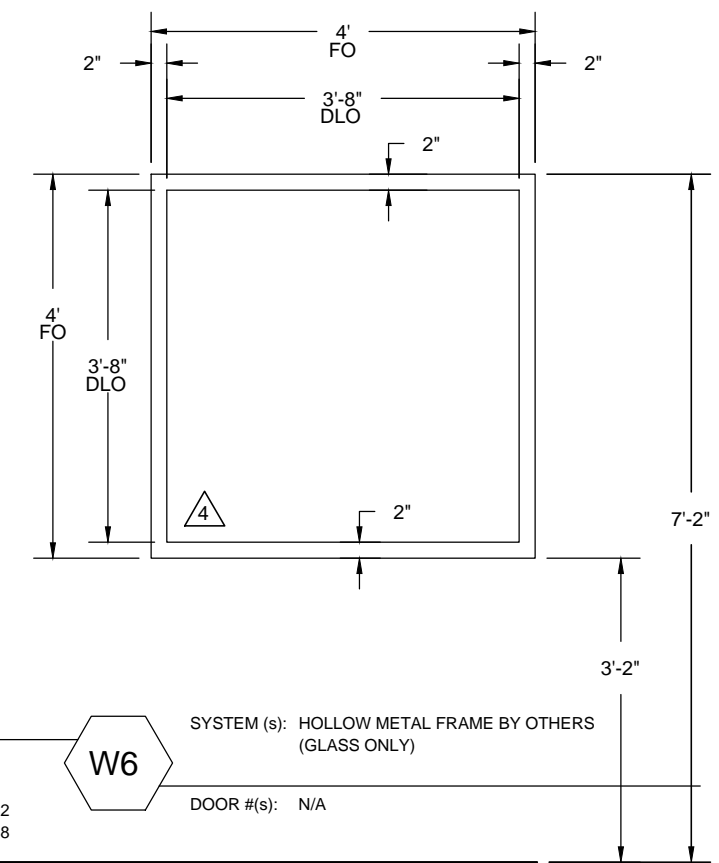
FLOOR PLAN
 SCALE: 1/16" = 1'-0"
 ARCH. REF.: OPBD-S5980
 OPBD-S5982

1st Shop & Catalyst Storage
 Kawneer Trifab VersaGlaze 450, 1 3/4" Sightline

PROJECT FORMOSA PLASTICS NEW SHOP & CATALYST STORAGE BUILDING	
ARCHITECT FORMOSA PLASTICS CORPORATION OF TEXAS ENGINEERING CENTER	
GENERAL CONTRACTOR K & T CONSTRUCTION (361) 576-1244	
PROJECT NO. MG-1807-02	
DRAWN BY fp	DATE 07/27/18
SCALE NTS	
DRAWING FLOOR PLANS	
SHEET P1	
MITCHELL GLASS CO. 405 W. CONSTITUTION ST. VICTORIA, TX 77902 W (361) 573-4337 F (361) 573-1797	
DESCRIPTION	1. First Submittal DATE: 07/27/18 SUB BY:



- GL-1: TEMPERED GLASS UNIT**
 1/4" OVERALL THICKNESS
 COLOR GRAY
 SAFETY TEMPERED
- GL-3: FIRE RATED, 45-MINUTE**
 1/4" OVERALL THICKNESS
 WireLite NT
 SAFETY GLASS
 ON WINDOW #: W5
- GL-4: TEMPERED GLASS ONLY**
 1/4" OVERALL THICKNESS
 COLOR CLEAR
 SAFETY TEMPERED
 ON WINDOW #: W6

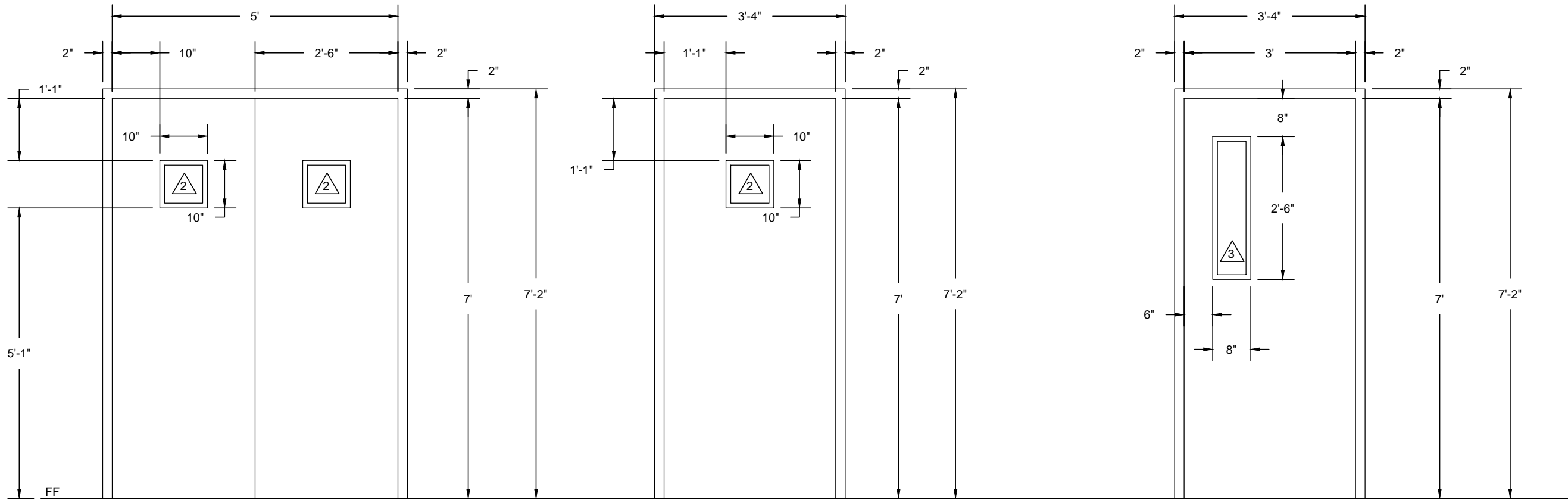


NO.	DATE	DESCRIPTION
1	07/27/18	First Submittal

MITCHELL GLASS CO.
 405 W. CONSTITUTION ST. VICTORIA, TX 77902
 W (361) 573-4337 F (361) 573-1797

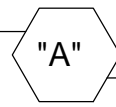
PROJECT: FORMOSA PLASTICS
 NEW SHOP & CATALYST STORAGE BUILDING
 ARCHITECT: FORMOSA PLASTICS CORPORATION OF TEXAS
 ENGINEERING CENTER
 GENERAL CONTRACTOR: K & T CONSTRUCTION
 (361) 576-1244

PROJECT NO. MG-1807-02
 DRAWN BY: fp DATE: 07/27/18
 SCALE: 1/2" = 1'-0"
 DRAWING: WINDOW ELEVATIONS
 SHEET: E1

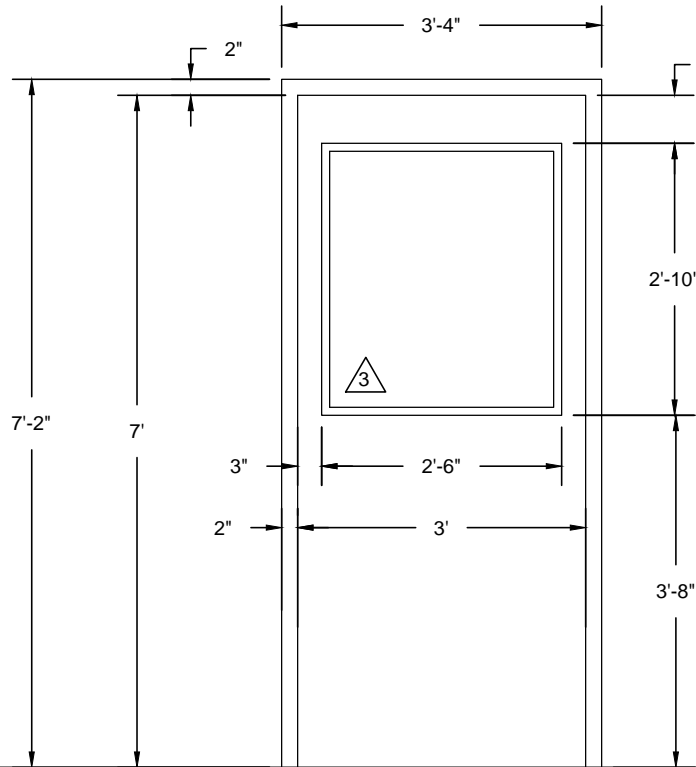


ELEVATION

SCALE: 1/2" = 1'-0"
 QUANTITY: 3
 ARCH. REF.: OPBD-S5982
 OPBD-S5988

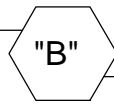


SYSTEM (s): WireLite Glazing
 (Doors and Frames by Others)
 DOOR #(s): 1, 2, 31



ELEVATION

SCALE: 1/2" = 1'-0"
 QUANTITY: 5
 ARCH. REF.: OPBD-S5982
 OPBD-S5988

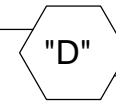


SYSTEM (s): WireLite Glazing
 (Doors and Frames by Others)
 DOOR #(s): 4, 6, 7, 42, 43

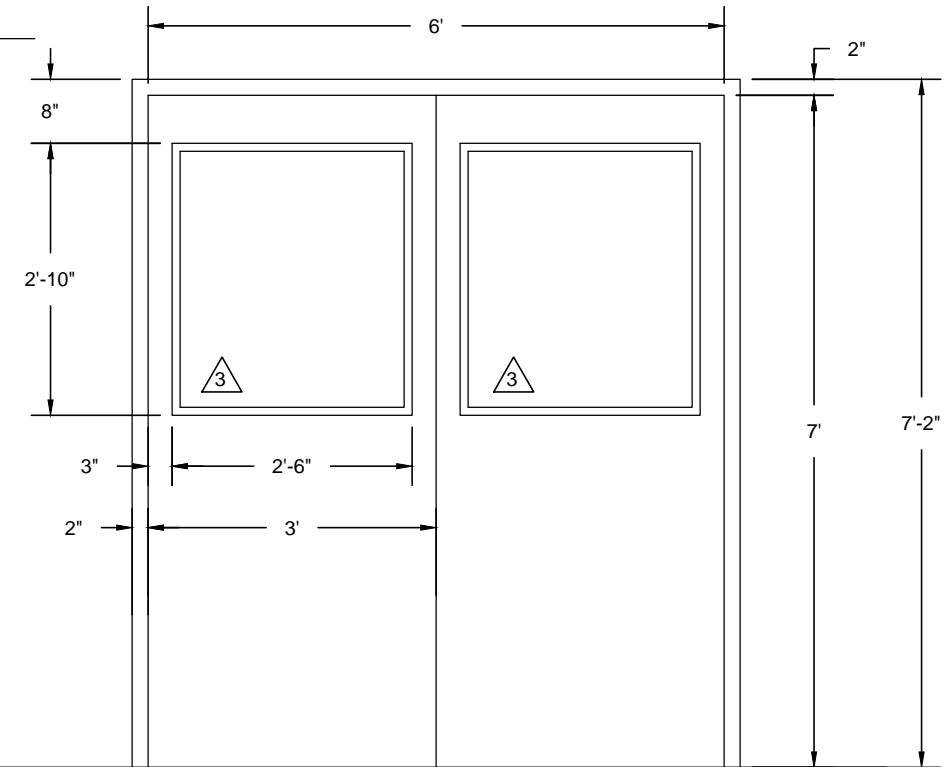
- GL-2: FIRE RATED, 90-MINUTE**
 1/4" OVERALL THICKNESS
 WireLite NT
 SAFETY GLASS
 ON DOOR #s: 1, 2, 4, 6, 7, 31, 42, 43
- GL-3: FIRE RATED, 45-MINUTE**
 1/4" OVERALL THICKNESS
 WireLite NT
 SAFETY GLASS
 ON DOOR #s: 9, 13, 14, 19, 30, 32, 37

ELEVATION

SCALE: 1/2" = 1'-0"
 QUANTITY: 3
 ARCH. REF.: OPBD-S5982
 OPBD-S5988

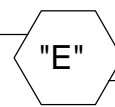


SYSTEM (s): WireLite Glazing
 (Doors and Frames by Others)
 DOOR #(s): 13, 19, 37



ELEVATION

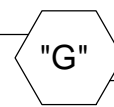
SCALE: 1/2" = 1'-0"
 QUANTITY: 3
 ARCH. REF.: OPBD-S5982
 OPBD-S5988



SYSTEM (s): WireLite Glazing
 (Doors and Frames by Others)
 DOOR #(s): 9, 14, 32

ELEVATION

SCALE: 1/2" = 1'-0"
 QUANTITY: 1
 ARCH. REF.: OPBD-S5982
 OPBD-S5988



SYSTEM (s): WireLite Glazing
 (Doors and Frames by Others)
 DOOR #(s): 30

NO.	DATE	DESCRIPTION
1	07/27/18	First Submittal

MITCHELL GLASS CO.
 405 W. CONSTITUTION ST. VICTORIA, TX 77902
 W (361) 573-4337 F (361) 573-1797

PROJECT: FORMOSA PLASTICS
 NEW SHOP & CATALYST STORAGE BUILDING
 ARCHITECT: FORMOSA PLASTICS CORPORATION OF TEXAS
 ENGINEERING CENTER
 GENERAL CONTRACTOR: K & T CONSTRUCTION
 (361) 576-1244

PROJECT NO. MG-1807-02
 DRAWN BY: fp DATE: 07/27/18
 SCALE: 1/2" = 1'-0"
 DRAWING: DOOR ELEVATIONS
 SHEET: E2

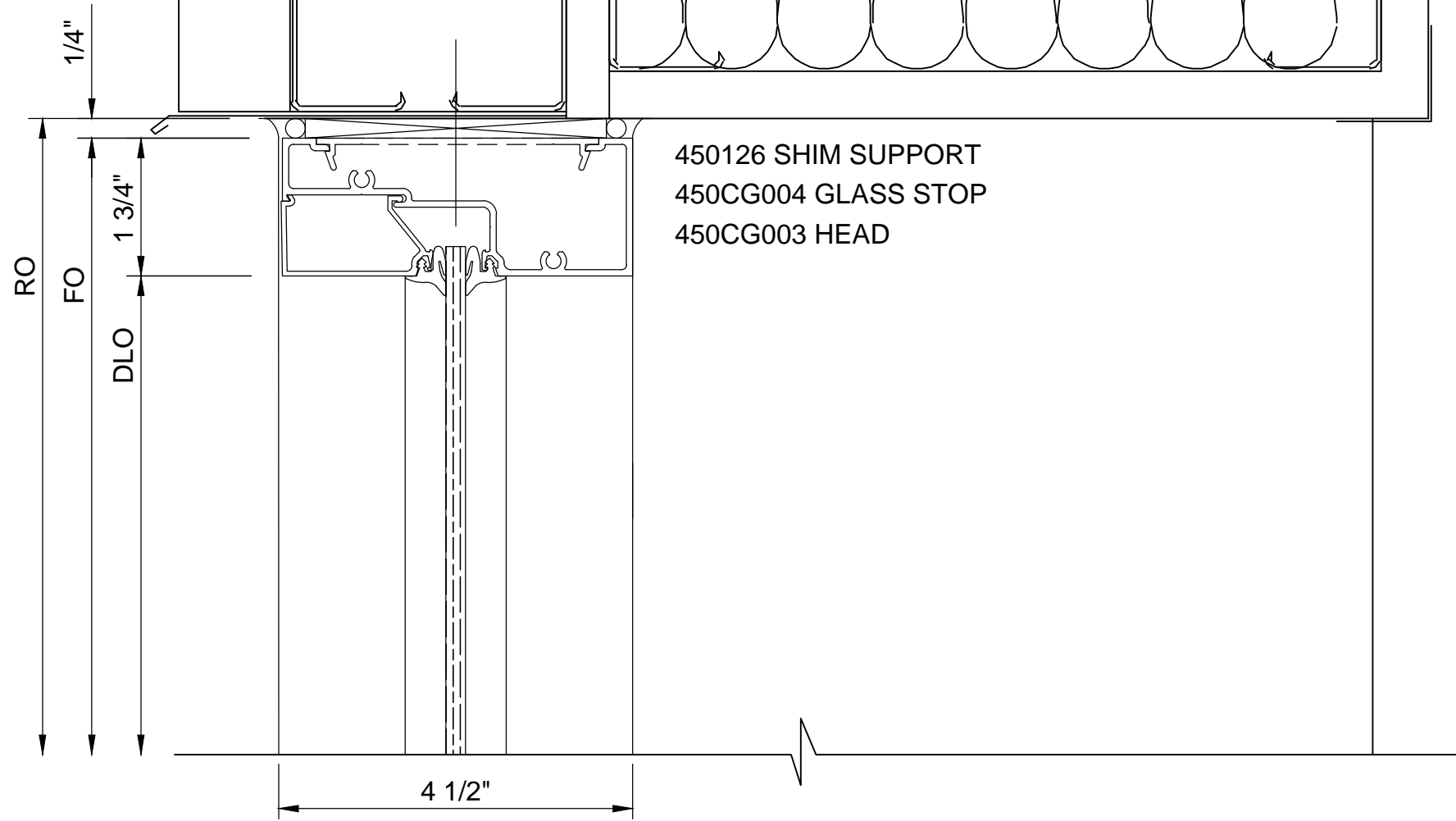
DETAIL

SCALE: 6" = 1'-0"
 ARCH. REF.: OPBD-S5988

01

DETAIL TYPE: HEADER

SYSTEM TYPE:
 Kawneer Trifab VG 450 Framing



NO.	DATE	BY	DESCRIPTION
1	07/27/18	fp	First Submittal

MITCHELL GLASS CO.
 405 W. CONSTITUTION ST. VICTORIA, TX 77902
 W (361) 573-4337 F (361) 573-1797

PROJECT: FORMOSA PLASTICS
 NEW SHOP & CATALYST STORAGE BUILDING
 ARCHITECT: FORMOSA PLASTICS CORPORATION OF TEXAS
 ENGINEERING CENTER
 GENERAL CONTRACTOR: K & T CONSTRUCTION
 (361) 576-1244

PROJECT NO. MG-1807-02	
DRAWN BY fp	DATE 07/27/18
SCALE 6" = 1'-0"	
DRAWING HEADER	
SHEET D1	